

PRINTER'S INSTRUCTIONS:

INSTR,INSTL,PT-1.0 • LINEAR P/N: 224726X1 • INK: BLACK • MATERIAL: 70 LB. GLOSS
WHITE COATED PAPER • SIZE: 4.250" X 5.500" FOLD TO 4.250" X 2.750" •
FOLDING: 1 FOLD HORIZONTAL, FINISH WITH LOGO SHOWING • SCALE: 1-1

20170102

224726X1

CTL07102



Passive Terminator
PT-1.0

OWNER'S MANUAL



LIMITED 5-YEAR WARRANTY

SpeakerCraft Inc. warrants to the original retail purchaser only that this SpeakerCraft product will be free from defects in materials and workmanship, for a period of 5-years, provided it was purchased from a SpeakerCraft Authorized Dealer.

Defective products must be shipped, together with proof of purchase, prepaid insured to the SpeakerCraft Authorized Dealer from whom they were purchased, or to the SpeakerCraft factory at the address listed on this installation instruction manual. Freight collect shipments will be refused. It is preferable to ship this product in the original shipping container to lessen the chance of transit damage. In any case, the risk or loss or damage in transit is to be borne by the purchaser. If upon examination at the Factory or SpeakerCraft Authorized Dealer it is determined that the unit was defective in materials or workmanship at any time during this warranty period, SpeakerCraft or the SpeakerCraft Authorized Dealer will, at its option, repair or replace this product at no additional charge, except as set forth below. If this model is no longer available and can not be repaired effectively, SpeakerCraft, at its sole option may replace the unit with a current model of equal or greater value. In some cases where a new model is substituted, a modification to the mounting surface may be required. If mounting surface modification is required, SpeakerCraft assumes no responsibility or liability for such modification. All replaced parts and product become the property of SpeakerCraft Inc. Products replaced or repaired under this warranty will be returned to the original retail purchaser, within a reasonable time, freight prepaid.

This warranty does not include service or parts to repair damage caused by accident, disaster, misuse, abuse, negligence, inadequate packing or shipping procedures, commercial use, voltage inputs in excess of the rated maximum of the unit, or service, repair or modification of the product which has not been authorized or approved by SpeakerCraft. This warranty also excludes normal cosmetic deterioration caused by environmental conditions. This warranty will be void if the Serial number on the product has been removed, tampered with or defaced.

This warranty is in lieu of all other expressed warranties. If the product is defective in materials or workmanship as warranted above, the purchaser's sole remedy shall be repair or replacement as provided above. In no event will SpeakerCraft be liable for any incidental or consequential damages arising out of the use or inability to use the product, even if SpeakerCraft Inc. or a SpeakerCraft Inc. Authorized Dealer has been advised of the possibility of such damages, or for any claim by any other party. Some states do not allow the exclusion or limitation of consequential damages, so the above limitation and exclusion may not apply. All implied warranties on the product are limited to the duration of this expressed warranty. Some states do not allow limitation on the length of an implied Warranty. If the original retail purchaser resides in such a state, this limitation does not apply.



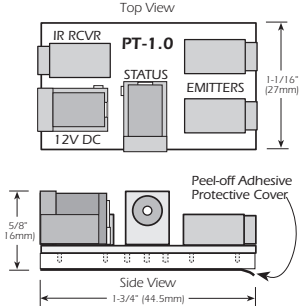
SpeakerCraft • 940 Columbia Avenue, Riverside, CA 92507 • Phone 1-800-448-0976 • Fax 951-787-8747
www.speakerscraft.com

PRINTER'S INSTRUCTIONS:

INSTR,INSTL,PT-1.0 • LINEAR P/N: 224726X1 • INK: BLACK • MATERIAL: 70 LB. GLOSS WHITE COATED PAPER • SIZE: 4.250" X 5.500" FOLD TO 4.250" X 2.750" • FOLDING: 1 FOLD HORIZONTAL, FINISH WITH LOGO SHOWING • SCALE: 1-1

PT-1.0 Passive Terminator

The PT-1.0 provides a quick and low cost means of interconnecting SpeakerCraft Quad Mini-Plug equipped IR Receivers with other IR products in basic IR repeating systems. It includes a STATUS jack. Current sharing resistors at each Emitter jack allows any combination of single or dual emitters to be used.



1. Plug in the IR Receiver and Emitters as shown.
Note 1: If the IRC-3.0 lead is not long enough, you can extend its length by using the SpeakerCraft Model QIX-1.0 Quad IR 15' Extension Cable (optional).
Note 2: Since the PT-1.0 employs emitter current sharing, you may use any of the IRE-1.0 and 2.0, 3.0, or 4.0 SpeakerCraft emitters in any combination you wish.
2. Plug in the Power Supply.
3. **For A Basic System Using STATUS**

To do this, you would simply plug a PS-1.0 Power Supply into the switched AC Outlet on the rear of the A/V receiver, as shown. The 12V lead of the PS-1.0 is then plugged into the STATUS jack on the PT-1.0. In this way, the green status LED in the IR Receiver will go ON and OFF when the A/V receiver is turned ON and OFF. This gives a power indication, for instance, when the equipment is behind closed cabinet doors.

