

PROFICIENT™ Infrared Systems

OWNER'S MANUAL

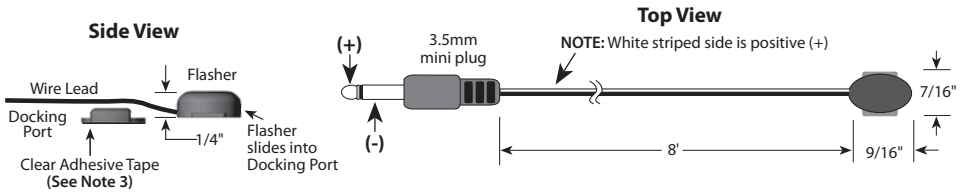
IR Single Flasher with Red LED

DESCRIPTION

The IR Single Flasher represents the highest level in sophistication for attachable IR emitters. It features a unique Docking Port that permits instant removal of the Flasher when rearranging or servicing components, and flashes a visible red LED when emitting IR control signals. An improved adhesive reduces callbacks for reattachment of “fallen emitters”.

IR SINGLE FLASHER with Red LED

Diagram 1



ATTACHMENT

First, locate the component's IR Sensor window (**See Note 1**) and thoroughly clean it of any fingerprints or other greasy substances. The Docking Port has a clear adhesive layer on its bottom surface. Peel the protective layer off, exposing the adhesive.

Orient the port vertical (**see Diagram 2**) and press it over the center of the component's sensor window. Press & hold for several seconds to ensure maximum contact of the adhesive.

Slide the IR Flasher from the top down, into the Docking Port. You should feel it “snap” into place. (To remove the IR Flasher at any time, simply push upward until it “pops” out).

Insert the 3.5mm plug into an Emitter jack on the Proficient IR Hub or other source of IR (**see Diagram 3**).

CAUTION: Do not plug a Flasher into an emitter jack that is set to Blaster Power (BL ON) or to the HIGH OUT of other connecting blocks. **Doing so will smoke the Flashers!!**

Note 1: If you have difficulty finding the component's IR sensor, try using a flashlight. Sometimes the owner's manual is helpful. You may need to contact the manufacturer direct.

Note 2: You may also attach the Flasher without the Docking Port. Use one of the spare adhesives (included) applying it directly to the bottom surface of the IR Single Flasher shell.

Note 3: If you need to remove the Docking Port or Flasher previously stuck to a component's surface, use a fresh adhesive (included) before reattaching.

Note 4: The Flasher's shell and Docking Port, though dark in appearance, are transparent to Infrared. This allows IR commands to pass through them, permitting local hand held remote control as well as through the IR Single Flasher.

Diagram 2

- 1) Attach IR Flasher Docking Port to IR sensor window with adhesive pad

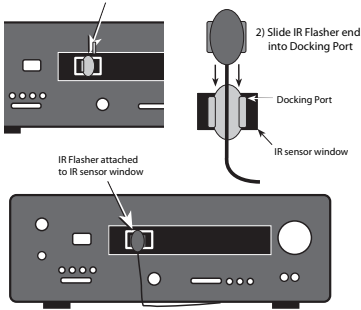
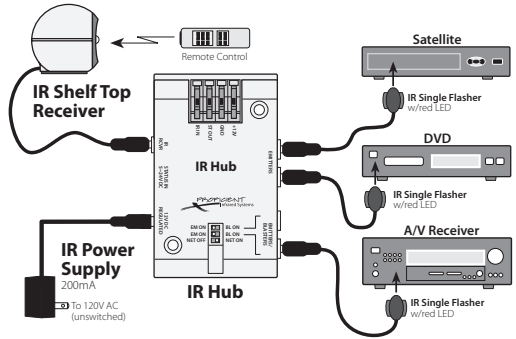


Diagram 3



LIMITED 5-YEAR WARRANTY

Proficient warrants to the original retail purchaser only that this Proficient product will be free from defects in materials and workmanship, for a period of 5-years, provided it was purchased from a Proficient Authorized Dealer. Defective products must be shipped, together with proof of purchase, prepaid insured to the Proficient Authorized Dealer from whom they were purchased, or to the Proficient factory at the address listed on this installation instruction manual. Freight collect shipments will be refused. It is preferable to ship this product in the original shipping container to lessen the chance of transit damage. In any case, the risk or loss or damage in transit is to be borne by the purchaser. If upon examination at the Factory or Proficient Authorized Dealer it is determined that the unit was defective in materials or workmanship at any time during this warranty period, Proficient or the Proficient Authorized Dealer will, at its option, repair or replace this product at no additional charge, except as set forth below. If this model is no longer available and can not be repaired effectively, Proficient, at its sole option may replace the unit with a current model of equal or greater value. In some cases where a new model is substituted, a modification to the mounting surface may be required. If mounting surface modification is required, Proficient assumes no responsibility or liability for such modification. All replaced parts and product become the property of Proficient Products replaced or repaired under this warranty will be returned to the original retail purchaser, within a reasonable time, freight prepaid. This warranty does not include service or parts to repair damage caused by accident, disaster, misuse, abuse, negligence, inadequate packing or shipping procedures, commercial use, voltage inputs in excess of the rated maximum of the unit, or service, repair or modification of the product which has not been authorized or approved by Proficient. This warranty also excludes normal cosmetic deterioration caused by environmental conditions. This warranty will be void if the Serial number on the product has been removed, tampered with or defaced. This warranty is in lieu of all other expressed warranties. If the product is defective in materials or workmanship as warranted above, the purchaser's sole remedy shall be repair or replacement as provided above. In no event will Proficient be liable for any incidental or consequential damages arising out of the use or inability to use the product, even if Proficient or a Proficient Authorized Dealer has been advised of the possibility of such damages, or for any claim by any other party. Some states do not allow the exclusion or limitation of consequential damages, so the above limitation and exclusion may not apply. All implied warranties on the product are limited to the duration of this expressed warranty. Some states do not allow limitation on the length of an implied Warranty. If the original retail purchaser resides in such a state, this limitation does not apply.

PROFICIENT™
Infrared Systems

940 Columbia Avenue, Riverside, CA 92507
800.448.0976 • Fax 951.787.8747 • proficientaudio.com

1301-83300